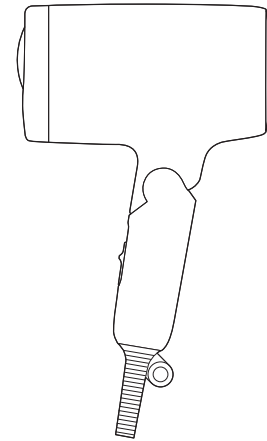


Panasonic®

Operating Instructions 使用說明書 (Household use) Hair Dryer (家用) 吹風機

Model No. **EH-NA7M**
型號



 **nanoe™**

English.....	3
中文.....	11

Learn More



請掃描封面上的 QRcode
取得此機種更多資訊

Contents

Safety precautions	3	Maintenance of the hair dryer	7
Parts identification	6	Troubleshooting	9
How to use the hair dryer	7	Specifications	10

目錄

安全須知	11	保養吹風機.....	15
部件說明	14	疑難排解	17
使用吹風機的方法.....	15	規格	18

- Before operating this unit, please read these instructions completely and save them for future use.
- Please read the code on the cover for the detailed operating instructions.
- nanoe™ is a trademark of Panasonic Holdings Corporation.
- nanoe™ particles are nano-sized electrostatic atomized water particles.

Safety precautions

Make sure to follow these instructions

To prevent accidents, injuries or damage to property, please follow the instructions below.



WARNING

Indicates potential hazard that could result in serious injury or death.



CAUTION

Indicates potential hazard that could result in minor injury or property damage.

Some parts of the safety precaution illustrations differ from the actual product.



WARNING

► Plug and Cord

- Do not use with the cord bundled.
- Do not damage the cord or plug.
Do not deface, modify, forcefully bend or pull the cord or plug. Also, do not place anything heavy on, twist or pinch the cord.
- Do not use when the plug or cord is damaged or hot.
- Do not wrap the cord tightly around the main body when storing.
- Do not store or use the cord in a twisted state.
- Disconnect the plug by holding onto it instead of pulling on the cord.
- Regularly clean the plug to prevent dust from accumulating.
- Always turn off the power switch and disconnect the plug from the household outlet after use.
- Insert the plug into the household outlet directly: Do not use with an extension cord.
- Fully insert the plug into a household outlet. Never use the appliance if the plug fits loosely.
- Always ensure the appliance is operated on an electric power source matched to the rated voltage indicated on the appliance.
Use only with AC 110 V power supply.
When the appliance is used in a bathroom, unplug it after use since the proximity of water presents a hazard even when the appliance is switched off.
- For additional protection, the installation of a residual current device (RCD) having a rated residual operating current not exceeding 30 mA is advisable in the electrical circuit supplying the bathroom. Ask your installer for advice.





WARNING

- If the supply cord is damaged, it must be replaced by the manufacturer, its service agent (described in the warranty), or similarly qualified persons in order to avoid a hazard.

► In case of an abnormality or malfunction

- Immediately stop using and remove the plug if there is any abnormality or malfunction.

<Abnormality or malfunction cases>

- Air is not emitted
- Unit stops sporadically
- Interior becomes red hot and smoke is emitted
- The appliance is damaged or deformed, or strange noise is emitted.

Immediately request inspection or repair at an authorized service center.

► Maintenance

- When you see sparks around the air outlet while using the hot air setting, stop use and remove the lint on the air outlet and air inlet.

► This appliance

- Do not block or insert hair pins or other foreign objects into the air inlet, air outlet or nanoe™ outlet.
- Do not leave the product with power switch on.
- Do not keep within the reach of infants or young children. Do not let them use the appliance.

- Do not use in proximity of flammable materials (such as alcohol, benzine, thinner, spray, hair care product, nail polish remover).
- Never modify, disassemble, or repair.
 - Doing so may cause ignition or injury due to abnormal operation.
 - Contact an authorized service center for repair.
- Do not handle any part of the plug or appliance with wet hands.
- This appliance is not designed for commercial use, and is not intended for use without appropriate maintenance.
- Do not immerse the appliance in water.
- Do not use or store the appliance near water.
- Do not use or store the appliance near bathtubs, showers, basins or other vessels containing water.



This symbol with prohibition sign in red on the appliance means "Do not use this appliance near water".

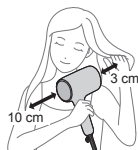
- This appliance is not intended for use by persons (including children) with reduced physical, sensory or mental capabilities, or lack of experience and knowledge, unless they have been given supervision or instruction concerning use of the appliance by a person responsible for their safety. Children should be supervised to ensure that they do not play with the appliance.



CAUTION

► To protect your hair

- Do not use with the air inlet damaged.
- Be sure to keep a distance of over 3 cm between the air outlet and your hair.
- Be sure to keep your hair at least 10 cm away from the air inlet to avoid hair getting tangled.



► Note the following precautions

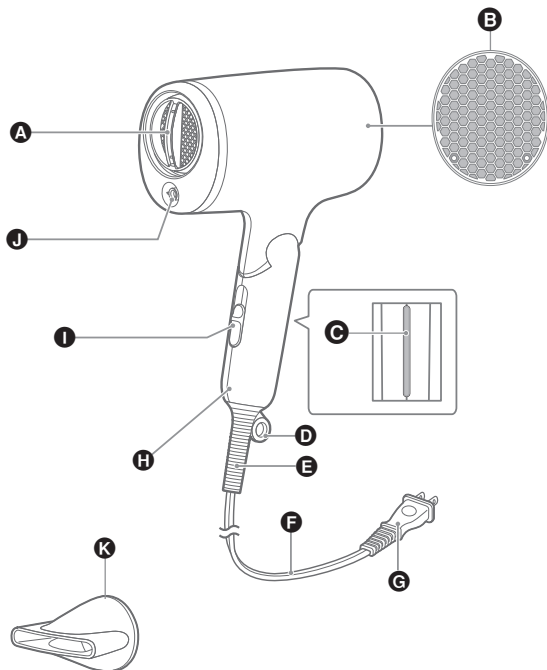
- Do not drop or subject to shock.
- Do not use on children under 6 years old.
- Do not touch the air outlet and concentrator nozzle which will become very hot.
- Do not use the appliance for any other purpose than drying hair.

► Notes

- This hair dryer is equipped with an automatic overheating protective device. If the hair dryer overheats, it will switch to cool air mode. Switch off the hair dryer and unplug it from the household outlet. Allow it to cool down for a few minutes before using it again. Check that no fluff, hair etc. is in the air inlets and outlets before switching it on again.
- You may notice a characteristic odor when using this hair dryer. This is the characteristic odor of nanoe™ or ozone, and is not harmful to the human body.

Parts identification

English



- A** Air outlet
- B** Quick-dry nozzle
- B** Air inlet
- C** Ion charge panel
- D** Ring for hanging
- E** Bushing
- F** Cord
- G** Plug
- H** Handle
- I** Power switch

☁ : Hot

⏸ : Heat Protection

☀ : Cool*

○ : Off

*Air temperature of Cool mode is close to room temperature.

- J** nanoe™ outlet

- K** Concentrator nozzle

- For easy-styling and blow-drying
- Place the nozzle to the air outlet and firmly insert it into position until locked.

How to use the hair dryer

Use only with AC 110 V power supply.

1 Turn the power switch on.

- Select the intensity of the airflow with the power switch.

☁ : Strong hot airflow

☺ : Gentle hot airflow

☀ : Cool airflow

2 Direct warm air throughout your hair.

- Your hair will dry quickly if you direct the warm air towards the roots.



3 Turn the power switch off.

To set your hair

Dampen the area of your hair you want to set with water etc.



Concentrator nozzle helps to focus and direct the airflow straight to hair for giving more control.



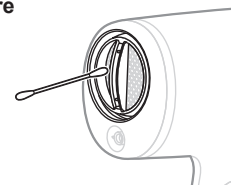
Maintenance of the hair dryer

Always turn the power switch off and disconnect the plug from the household outlet. (Except when performing maintenance on the air outlet)

Maintaining the air outlet

Do this about once a month or more

1. Plug into the household outlet.
2. Select [☀] with the power switch.
3. While scraping dust and hair jammed in the mesh with a cotton swab, blow them away with air.



► Notes

- When performing maintenance, do not block the air inlet with your hand.
- Dust may fly out when you use the appliance for the first time after maintenance. Use the appliance after confirming that dust no longer flies out. (Do not look into the air outlet.)

Maintaining the air inlet

Do this about once a month or more

Wipe to clean lint, hair, or other matter from the air inlet with a tissue or toothbrush.



(If dust is attached to the inside, remove it with a vacuum cleaner.)

► Note

- Do not press or rub with your nails or sharp items. Doing so may cause the air inlet to break.

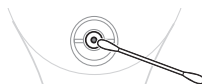
Maintaining the nanoe™ outlet

At least once a month

In order to maintain the generation amount of nanoe™ outlet.

1. Prepare a commercially available new cotton swab.
2. Gently insert the swab in the nanoe™ outlet until it stops (about 1 cm).
3. Turn the cotton swab 2-3 times carefully.

When turned, you may sense the swab getting caught, but this is not an issue.



The tips of the needle-shaped part.

Do not put a cotton swab in any portion other than the part indicated by ○.

Maintaining the main body

Do this when dirty

To clean the hair dryer (when it is dirty), soak a cloth in the soapy water and squeeze it out firmly, then wipe with the cloth.



► Notes

- Do not use substances such as alcohol, nail polish remover or detergent (hand soap). Doing so may result in malfunction or part cracks or discoloration.
- Do not leave the appliance with hairdressing products or cosmetics on it. Doing so will cause deterioration of the plastic, leading to discoloration and cracks.




Troubleshooting

Problem	Possible cause	Action
Sparks can be seen inside the product. - These sparks are caused by protective device (thermostat switch). They are not dangerous.	▶ Lint has accumulated on the air inlet or air outlet.	▶ Remove accumulated lint. (See page 7.)
Hot air repeatedly turns into cold air.	▶ Hair or something is blocking the air inlet.	▶ Do not block the air inlet.
The hot air is abnormally hot.	▶ The plug does not fit snugly in the outlet being used.	▶ Use an outlet in which the plug fits snugly.
The plug, cord, or bushing is abnormally hot.	▶ The plug is not firmly inserted into the outlet.	▶ Insert the plug firmly into the outlet.
Sparks are generated inside the nanoe™ outlet.	▶ The needle-shaped part located at the back of the nanoe™ outlet is dirty.	▶ Perform maintenance on the nanoe™ outlet. (See page 8.)
A noise (crackling) is heard inside the nanoe™ outlet.		
There is a peculiar smell.	▶ This is the characteristic odor of nanoe™ or ozone, and is not harmful to the human body.	
Water droplets fly out from the nanoe™ outlet.	▶ Water droplets occasionally fly out from when generating nanoe™; this is not an abnormality.	

If the problems still cannot be solved, contact the store where you purchased the unit or a service center authorised by Panasonic for repair.

Specifications

English

Power source	110 V~ 60 Hz
Power consumption	1 200 W (When used in [] setting)
Accessory	Concentrator nozzle

This product is intended for household use only.

- 在操作前，請完整閱讀本使用說明書，並妥善保存以供日後使用。
- 請掃描封面上的QRcode取得此機種更多資訊。
- nanoe™ 是 Panasonic Holdings Corporation 的商標。
- nanoe™ 是以水分子包裹的奈米水離子。

安全須知

確保遵守下列說明

為了避免意外、受傷或財產損失，請遵守下列說明。



警告

代表潛在危害，可能導致嚴重傷害或死亡。



注意

代表潛在危害，可能導致輕微受傷或財產損害。

安全注意事項圖示的某些部分與實際產品不同。

警告

▶ 插頭和電源線

- 請勿使用捆綁的電源線。
- 請勿損壞電源線或插頭。
請勿損壞、改裝、用力彎曲或拉扯電源線或插頭。此外，請勿在電源線上放置任何重物、扭轉或夾住電源線。
- 插頭或電源線損壞或變熱時請勿使用。
- 存放時請勿將電源線緊緊纏繞在機身上。
- 請勿在電源線扭曲狀態下存放或使用本產品。
- 拔除插頭時，請握住插頭，不要拉扯電源線。
- 請定期清潔電源插頭，避免灰塵堆積。
- 使用後，請務必關閉電源開關並從家用插座拔除插頭。
- 請使用獨立的家用插座：
請勿搭配延長電源線使用。
- 請將插頭完全插進家用插座。如果出現插頭鬆動的現象，請勿使用本電器。
- 請務必確保在符合本產品上指定的額定電壓的電源上操作本產品。
僅限使用額定電壓 **AC 110 V** 的電源插座。
若在浴室中使用本產品，使用完畢後請拔下插頭、因為即使本產品電源已經關閉，它在接近水時仍然存在危險。
- 為了保護您的安全，建議您在浴室的供電電路中安裝一個額定漏電動作電流不超過 **30 mA** 的漏電保護開關 (RCD)。請向安裝者諮詢意見。
- 如果本機的電源線已經損壞，務必立即停止使用，並送交 Panasonic 直屬服務站（在此保證書內說明）進行更換。



警告

► 如果出現異常或故障

- 如果出現異常或故障，請立即停止使用並拔除插頭。
<異常或故障情況>
 - 無法送風
 - 本機偶爾停止
 - 內部變成火紅炙熱狀且冒煙
 - 電器已損壞或變形，或發出奇怪噪音。請立即將產品帶往Panasonic直屬服務站，以要求檢查或維修。

► 保養

- 使用熱風設定時，如果您看到出風口處出現火花，請停止使用並清除出風口與入風口處的灰塵。

► 本產品

- 請勿阻塞進氣口、出風口或 nanoe™ 出口，插入髮夾或其他異物。
- 當電源開關開啟時，請勿離開本產品。
- 請勿放在嬰兒或幼童容易拿取之處。
請勿讓兒童使用本產品。

- 請勿在易燃物質（例如，酒精、揮發油、稀釋劑、噴霧、護髮產品、去光水）附近使用。
- 切勿改裝、拆卸或修理。
 - 否則可能會導致點火，或因異常操作而造成傷害。
請聯絡Panasonic直屬服務站進行維修。
- 請勿在雙手潮濕的情況下處理插頭或電器的任意部份。
- 本產品並非為商業用途而設計，而且必須進行適當的保養。
- 請勿將本產品浸入水中。
- 請勿在靠近水的位置使用或存放本電器。
- 請勿在浴缸、蓮蓬頭、水盆或其他裝水的容器附近使用或存放本電器。



此設備上帶有禁止紅色標誌的符號表示「請勿在靠近水的地方使用本產品」。

- 患有體能、感官或智力減退，或缺乏經驗和知識之人士（含兒童），在無人監護或未獲告知如何使用的情況下不得使用本產品。
孩童應受監護，以確保孩童不嬉玩本產品。

⚠ 注意

► 保護您的頭髮

- 當入風口損壞時，切勿使用。
- 請將您的頭髮與出風口之間保持超過 3 cm 的距離。
- 請確保頭髮距離入風口 10 cm，以避免頭髮被捲入。



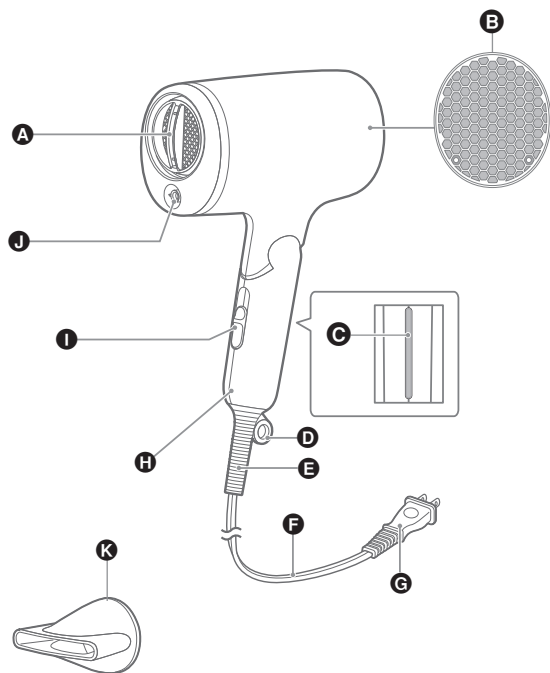
► 注意以下事項

- 請勿掉下產品或使其受到撞擊。
- 請勿讓六歲以下兒童單獨使用。
- 請勿觸摸出風口、集風造型吹嘴它們可能會變得非常燙。
- 除了吹乾頭髮以外，請勿將電器用於其他目的。

► 註

- 本產品配備一個自動過熱保護裝置。如果本產品過熱，將轉換到冷風模式。請關閉本產品，並從家用插座中拔除。讓本產品冷卻數分鐘後再使用。再次開啟本產品前，請檢查入風口與出風口內無毛絮、頭髮等。
- 使用本產品時可能會聞到一種特別的氣味。此為 nanoe™ 或臭氧的特有氣味，對人體無害。

部件說明



A 出風口
速乾吹嘴

B 入風口

C 靜電抑制握把

D 掛環

E 絕緣套

F 電源線

G 插頭

H 把手

I 電源開關

☄ : 熱風

U : 高溫防護(暖風)

☼ : 冷風*

○ : 關

*冷風模式下的風溫接近室內溫度。

J nanoe™ 出風口

K 集風造型吹嘴

• 方便造型和吹乾

• 將吹嘴置於出風口並牢牢地將其裝到位置上、直到固定。

使用吹風機的方法

僅限使用額定電壓 AC 110 V 的電源插座。

1 開啟電源。

- 使用電源開關選擇風溫。



熱風



高溫防護(暖風)



冷風

2 對您的頭髮直接吹出熱風。

- 如果您將熱風直接對準髮根，則您的頭髮將較快吹乾。



3 關閉電源。

整理頭髮

用水或其他產品沾濕想要整理的頭髮區域。



集風造型吹嘴能使風流集中，直接吹向頭髮讓您容易掌控。



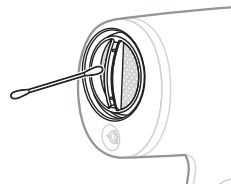
保養吹風機

請務必關閉電源開關並從家用插座拔除插頭。(對出風口進行保養時除外)

出風口的保養

一個月進行此步驟一次或以上

1. 插入家用插座。
2. 選擇電源開關的 [❶]。
3. 用棉花棒刮除灰塵和塞住網孔的頭髮時，一邊吹風使其脫落。



▶ 註

- 進行保養時，不要用手擋住入風口。
- 保養之後首次使用本產品時，灰塵可能會飛出。請確認灰塵不再飛出，再開始使用本產品。(請勿直視出風口。)

入風口的保養

一個月進行此步驟一次或以上

請使用衛生紙或牙刷等物，將入風口的灰塵，頭髮或其他東西擦拭乾淨。

（如果內部有灰塵附著，請用吸塵器將其移除。）



► 註

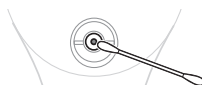
- 請勿用指甲或尖銳物品按壓或摩擦。否則可能會造成入風口損壞。

nanoe™ 出風口的保養

至少一個月一次

為了維持 nanoe™ 的產生量。

1. 準備市售新棉花棒。
2. 將棉花棒輕輕插入 nanoe™ 出風口，直至不能繼續插入（約 1 cm）。
3. 小心轉動棉花棒 2-3 次。轉動時，您可能會感覺棉花棒卡住，這是正常的。



針狀部件的尖端。

請勿在除了○指示的部位外插入棉花棒。

機身的保養

髒污時請進行此操作

要清潔吹風機（骯髒時），請將軟布浸入肥皂水後充分擰乾，然後使用軟布擦拭。

► 註

- 請勿使用酒精、去光水或清潔劑（洗手液）等物質。這樣可能會導致產品故障、部件破裂或褪色。
- 請勿讓本產品殘留髮型用品或化妝品。這樣會造成塑膠變質、導致褪色和破裂。



疑難排解

問題	可能的原因	動作
可能會在本產品內部看見火花。 - 這些火花是由保護裝置（恆溫開關）造成的。它們並不危險。	▶ 灰塵會黏附在入風口或出風口。	▶ 清除黏附的灰塵。 （參閱第 15 頁。）
熱風反覆變成冷風。	▶ 頭髮或其他雜質堵塞入風口。	▶ 請勿堵塞入風口。
熱風異常高溫。	▶ 插頭無法牢固在插座中。	▶ 請使用能穩固固定插頭的插座。
插頭、電源線或護線套異常高溫。	▶ 插頭未牢牢插入插座。	▶ 將插頭牢固地插入插座。
在 nanoe™ 出風口內部產生火花。	▶ nanoe™ 出風口背面的針形部位髒污。	▶ 請進行 nanoe™ 出風口保養。 （參閱第 16 頁。）
nanoe™ 出風口有異音（爆裂聲）。	▶ 此為 nanoe™ 或臭氧的特有氣味，對人體無害。	
有異味。	▶ 產生 nanoe™ 時，偶爾會飛出水滴；這並不是異常。	
nanoe™ 出風口飛出水滴。		

為安全起見，請定期檢查使用多年的電器產品。

如果仍然無法解決問題，請與您購買本機的商店聯絡，或洽Panasonic直屬服務站進行維修。

規格

電源	110 V~ 60 Hz
消耗電量	1 200 W (使用於 [] 設定時)
配件	集風造型吹嘴

本產品只適合家居使用。

中文

18

限用物質名稱及含量列表

設備名稱：吹風機，型號：EH-NA7M						
單元	限用物質及其化學符號					
	鉛 (Pb)	汞 (Hg)	鎘 (Cd)	六價鉻 (Cr ⁶⁺)	多溴聯苯 (PBB)	多溴二苯醚 (PBDE)
塑膠部件	○	○	○	○	○	○
金屬部件	—	○	○	○	○	○
電源線/配線	—	○	○	○	○	○
電路板部件/電子元件	—	○	○	○	○	○

備考1. “○” 係指該項限用物質之百分比含量未超出百分比含量基準值。
備考2. “—” 係指該項限用物質為排除項目。

委 製 商：Panasonic Corporation
 商品原產地：泰國
 進 口 商：台灣松下銷售股份有限公司
 公司地址：新北市中和區建六路 57 號
 連絡電話：0800-098800
 網 址：https://www.panasonic.com/tw/



Panasonic Corporation
<https://www.panasonic.com>
© Panasonic Corporation 2024

Printed in Thailand
SEHNA7M13503-1 A0924-10924

® EN, TW